

Premium Preparation 1000 mm Work Table with Upstand

ITEM # _____

MODEL # _____

NAME # _____

SIS # _____

AIA # _____



133054 (TG1010EN)

Work table with 100mm
upstand, 1000mm

Short Form Specification

Item No. _____

The 50mm high worktop in 304 AISI stainless steel, 1,5mm in thickness, has anti-drip edges and welded corners. Under-top reinforcement bars in 304 AISI stainless steel. Integral rear upstand, h=100mm, with 10mm radius.

Round section legs and feet in 304 AISI stainless steel, 50mm in diameter. Height-adjustable feet (+0-50mm).

Main Features

- The table can be ordered with the drawer of 400 mm or 600 mm (optional accessory): thanks to the design of the drawer, additional drawers can be added to the first single drawer to create chest of 2, 3 or 4 drawers based on customer's needs.
- Sturdiness, stability and reliability of table accurately tested.

Construction

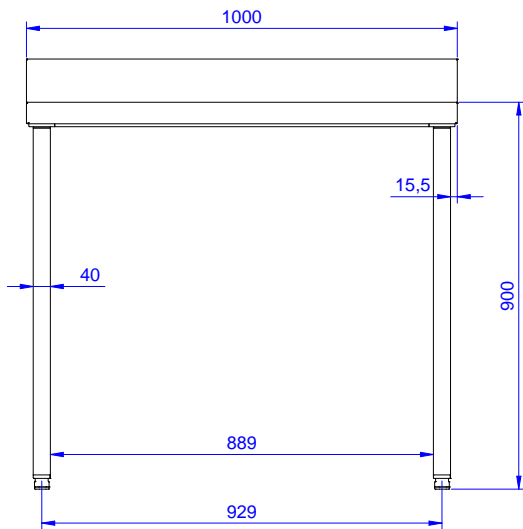
- 100 mm upstand with 10 mm radiused corner and 13 mm deep, designed to be used against a wall.
- Worktop with 50 mm high profile, in s/s Scotch Brite finishing, 15/10 in thickness with anti-drip edges and welded corners.
- Round section legs with feet in 304 AISI stainless steel, 50 mm in diameter, adjustable in height by +0/-40 mm.
- Delivered in knock-down package.
- Wide range of taps are available to suit every need.
- Heavy duty construction entirely in AISI 304 stainless steel to offer maximum durability.

Optional Accessories

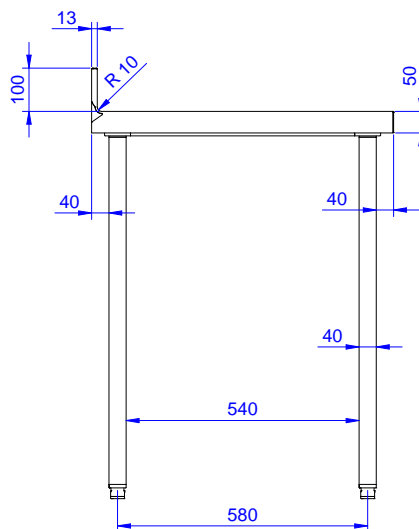
- Overshelf, neutral, one tier, 1000 mm PNC 132964
- Overshelf, with led light and ceramic light, one tier, 1000mm PNC 132988
- Single drawer GN 1/1, 400mm PNC 855280
- Single drawer, 600mm PNC 855281
- Lower shelf for 1000mm for units PNC 855287
- Set of 4 wheels (2 with brake) d. 100mm for cupboards PNC 855288
- 3-sided underframe for 1000mm tables PNC 855289
- Additional drawer, 600mm (to set up a chest of 2, 3, 4 drawers) PNC 855295
- Additional drawer GN 1/1, 400mm (to set up a chest of 2, 3, 4 drawers) PNC 855298

APPROVAL: _____

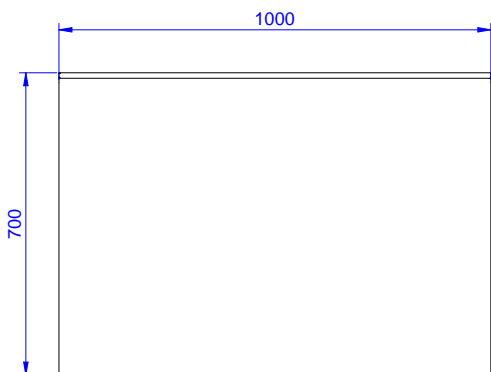
Front



Side



Top



Key Information:

External dimensions, Width:	1000 mm
133054 (TG1010EN)	
External dimensions, Depth:	700 mm
External dimensions, Height:	900 mm
Upstand Dimensions, Height:	100 mm
Upstand Dimensions, Depth:	13 mm
Upstand Dimensions, Radius:	R=10
Worktop thickness:	50 mm
Net weight:	35 kg
Drawer combinations - No. 400 mm drawers:	2
Drawer combinations - No. 600 mm drawers:	1